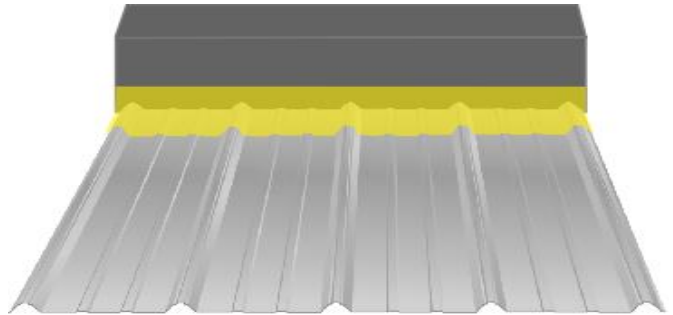
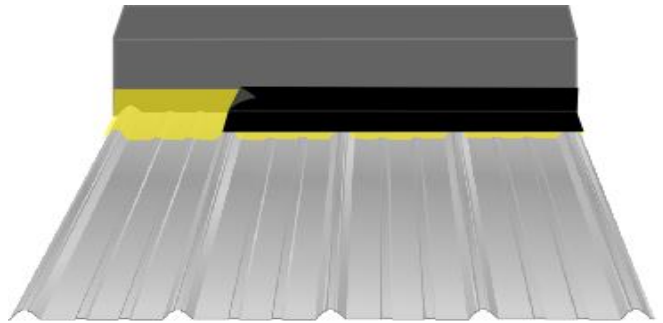


EFFISUS BOND FT – THE SOLUTION FOR FLASHING DETAILS ON METAL ROOFS

1. Clean the substrate properly (for metal surfaces Effisus Setup PR Cleaner can be used) and apply a layer of Effisus Coat SP Primer covering the entire area that will be covered with the Effisus Bond FT Tape. Allow the primer to completely dry off before starting to install the tape – primer must be dry to the touch.

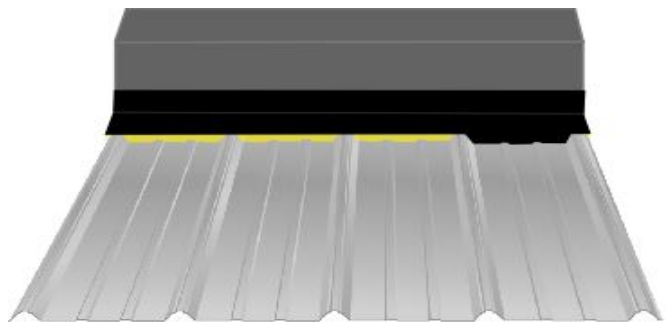


2. Start bonding the tape to the substrate by progressively taking off the protective foil and bonding the tape flat without forcing it to follow the corrugated surface.

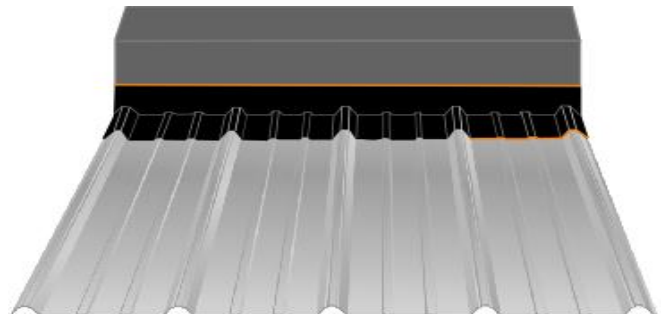


3. With hand, or with help of a silicone roll, start moulding/adjusting the tape to the corrugated surface. Make sure to not stretch the tape too much on a single point (ex: corners), in order to avoid any risk of damaging it.

Special note: To slightly warming up the tape with hot air will make it more flexible and easier to work with. If warming up the tape be extra careful to not overheat it!



4. Press the entire bonding area with a silicone roll in order to promote a perfect adherence between the tape and the substrate. Finish the application by applying a bead of Effisus Bonding KF+P to the entire perimeter of the Effisus Bond FT Tape.



5. Overlapping joints

Overlaps should have a minimum of 100mm. Apply a layer of Effisus Coat SP Primer on the bottom tape and allow it to completely dry off. Once the primer is dry adhere the top tape to the bottom one by progressively taking off the tape protective foil. Press the joint properly with a silicone roll in order to promote the adherence between the tapes.

